



Preferred Safety Products, Inc.

Preferred for Quality and Practicality™  
Select Safety Products™  
Preferred by Craftsmen and Employers™

800.301.3188  
www.preferredsafety.com



EASY ATTACHMENT TO STANDING SEAM...



AND EASILY CONVERTS...



WITH A FLIP OF THE CLAMP...



TO ADJUST TO...



A LARGER SEAM PROFILE...

## Two-Way Universal Standing Seam Roof Clamp™

Patents pending

One anchor fits most brands and styles of standing seam.

Unique, reversible design allows for seams up to 1" wide. This is a PSP exclusive! Now a \*MR-24® (or equivalent) AND a \*VSR® (or equivalent) profile can be covered in one or two easy steps!

Anchor securely without penetration or damage to the completed roof.

Use with retractable lanyards, rope and rope grab, or traditional lanyards (for one person).

\*\*Do not use with horizontal lifelines. Designed for a single point tie off anchor only.

Save 60-80% over the cost two clamps by purchasing only one Two-Way Universal Standing Seam Roof Clamp™.

New design provides versatility. Enjoy the convenience of always having the size needed from one job to the next without the added cost of two different clamps.

Reusable and easy to use.

Compact size for easy storage.

Lightweight machined steel for easy movement by men on the job.

The durable all steel construction and zinc electroplate finish of the Two-Way Universal Standing Seam Roof Clamp™ resists weather rust — lasts for years with proper care.

Use on clips anywhere on the completely seamed and attached roof sections, not closer than 4 ft. from the edge.

---

\*\*A qualified and competent person must be involved in design, use, maintenance, and installation of any horizontal lifelines.

**\*PSP is not affiliated with Butler Manufacturing. The use of these examples is a point of reference for comparison only.**

**Note: MR-24® and VSR® are descriptive styles sold by Butler Manufacturing and are standards in the industry.**

ITEM NUMBER

340SSRC-03

TWO-WAY

# System Components

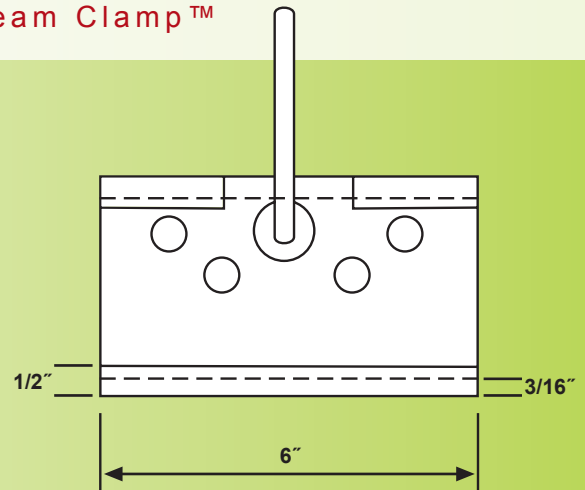
>>> for the Two-Way Universal Standing Seam Clamp™

## SAFETY FIRST

**WARNING: FAILURE TO INSTALL, USE AND/OR REMOVE PREFERRED SAFETY EQUIPMENT IN A SAFE AND WORKMAN LIKE MANNER CAN RESULT IN SERIOUS INJURY OR DEATH.**

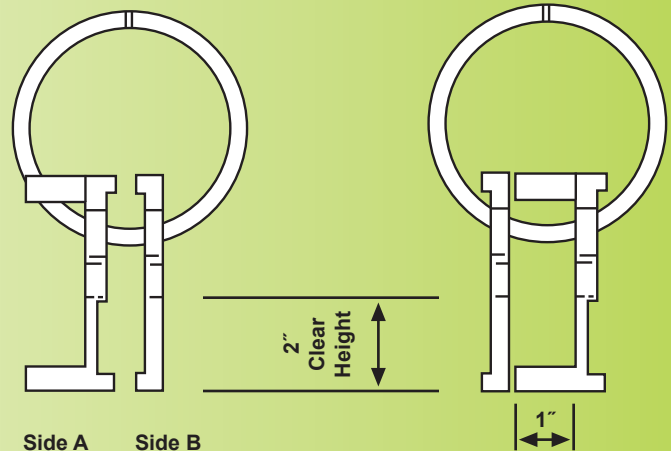
1. Read and understand all instructions, warnings, cautions, notes, etc., regarding the safe use of Preferred Safety products.
2. When installing, using, and removing Preferred Safety equipment, Federal, State, and Local laws and regulations must be followed.
3. Preferred Safety equipment is designed and tested as a system. Never use of mix components that have not been designed and tested for use with this system. Contact Preferred Safety directly if you are unsure.
4. Install and remove Preferred Safety equipment in a safe and workmanlike manner. Means of safe installation and removal may include, but are not limited to:
  - Roof Ladders
  - Man Baskets
  - Lifeline Systems
  - Hoist/Lifts
5. Each application will be different. You must plan for and follow safe work practices and train workers on job specific safety plans for each installation and removal of Preferred Safety equipment.
6. Always use the proper safety equipment when installing, using, or removing Preferred Safety equipment. This may include safety glasses, hearing protection, independent fall protection, etc.

**WARNING: OSHA, FEDERAL, STATE, AND LOCAL STANDARDS MUST BE FOLLOWED AT ALL TIMES. FAILURE TO FOLLOW CAN RESULT IN SERIOUS INJURY OR DEATH. SEE COMPLETE MANUFACTURER'S INSTRUCTIONS INCLUDED WITH EACH UNIT.**



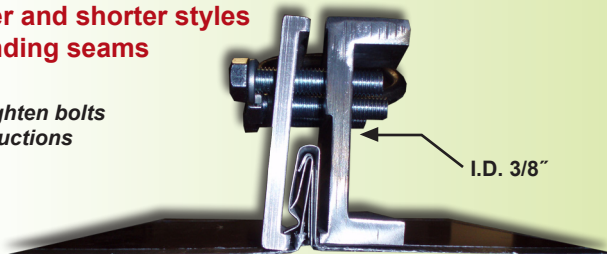
Conventional configuration for \*MR24® or similar standing seam.

Remove bolts and flip Side A around ring to meet with back side of Side B for use with \*VSR® or similar style roof.



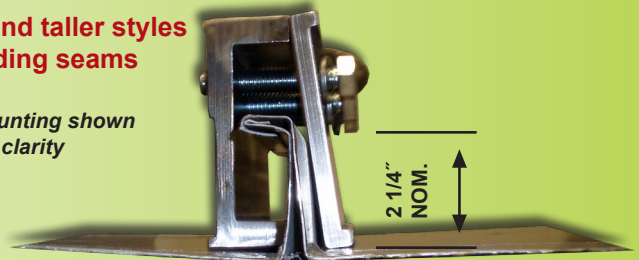
### Thinner and shorter styles of standing seams

Note: Tighten bolts per instructions



### Wider and taller styles of standing seams

Note: Mounting shown loose for clarity



### Note and Warning:

Preferred Safety reserves the right to change and improve specifications design configurations, components and details at any time without notice. Check with Preferred Safety for any newer versions of products or instructions or warnings during the life of your product. The product is developed in accordance with OSHA and ANSI standards in effect at the time of manufacturing. Users should remain aware of any changes in Safety and Health Laws or Standards in the Jurisdiction in which the user is operating and using Preferred Safety products.

Copyright ©2010 – Preferred Safety Products, Inc. All rights reserved. No copying or distribution of these materials are allowed for any purpose except for sales and management uses of our customers on jobs using the system described herein.

**CALL 800.301.3188 TO SPEAK WITH A SAFETY SPECIALIST!**

A Division of Cole-Preferred Enterprises International, Inc.