

## PRODUCT SPECIFICATIONS

MAXIMUM CAPACITY IS ONE PERSON PER ANCHOR, MAXIMUM 310 LBS. WHEN USED FOR PERSONAL FALL ARREST OR RESTRAINT. 5,000 LBS. [MEETS OR EXCEEDS ALL APPLICABLE OSHA AND ANSI Z359.1 - 1992 AND ANSI A10.32 - 2005 REQUIREMENTS FOR ANCHORAGE DEVICES.]

## WARRANTY

All material and products supplied are warranted to be free from defects in materials, workmanship, and assembly (insofar as the products were preassembled, and to exclude the on site assembly done by others) for one year from the date of purchase, and are warranted to be compliant with generally accepted safety and health practices and OSHA regulations and interpretations in force as of the day of supply – when properly used by fully trained craftsmen under the supervision of a qualified person and a competent person who is their supervisor. User is advised that notices on the unit or instructions about dates or lengths of service, or for taking unit out of service are guidelines, are not any guarantee of any life expectancy or expiration date. The wearing out of a safety product is expected and is in relation to the kind of use and care it receives during its useful life. NOTE: Warranty does not cover wear and tear from heavy or normal use, abuse, accidents, chemical exposure, sunlight, welding or other UV damage, environment, or any other job condition or user imposed treatment. Buyer's/Users' sole remedy for the Warranty is for the user/buyer to return the goods for the price paid, or for replacement with like material and products, in new condition. Do not return any goods without authorization. NOTE: This is a limited warranty, insofar as the conditions of use, the purposes for use, the environmental conditions, the handling, installation, and assembly of a system by others, the use of non supplied materials as part of the installation, the use of non supplied components as part of a complete fall arrest system for the individual users, the qualifications and actions of supervision and competent qualified persons at a particular jobsite, and the personnel training for the various employees of various employers that may have access to the product, among other variables, are all completely out of the hands of the manufacturer and supplier, therefore there cannot be and there is not any further guarantee or warranty for the fitness for duty, fitness for purpose, fitness for any intended use, adequacy of instructions or warnings, merchantability, or any other warranty or guarantee of any kind or nature whatsoever. This warranty gives you specific legal rights. You may have additional legal rights in your state.



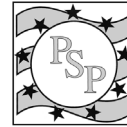
Preferred Safety Products, Inc.

Preferred for Quality & Practicality™  
Select Safety Products™  
Preferred by Craftsmen & Employers™

4785 Elati Street, Suite 15  
Denver, CO 80216

800-301-3188  
www.preferredsafety.com

340SSRC-00, 340SSRC-03



Preferred Safety Products, Inc.

Preferred for Quality & Practicality™  
Select Safety Products™  
Preferred by Craftsmen & Employers™

4785 Elati Street, Suite 15  
Denver, CO 80216

800-301-3188  
www.preferredsafety.com

## Standing Seam Roof Clamp™ Installation, Operation and Maintenance Instruction FOR INDIVIDUAL USE ON STANDING SEAM ROOF

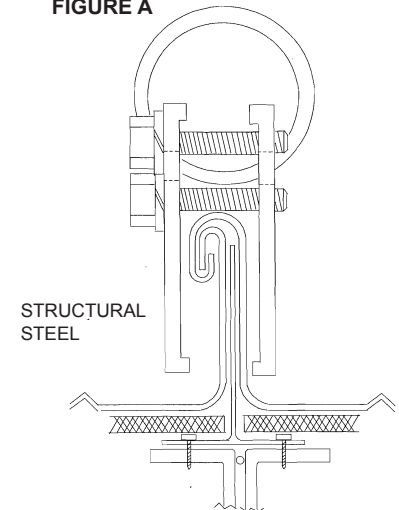
*This document serves as the Manufacturer's Instructions, and is to be used as part of an employee training program for the system, as required by OSHA.*

**Warning:** This product serves as part of a fall protection system. All users must read, understand, and follow the manufacturer's instructions for each and every component of the system. Failure to do so may result in serious injury or death. Do not use unless properly trained. It is the employer's responsibility to ensure that all users are properly trained in proper use, inspection, and maintenance of fall protection equipment. If you have any questions concerning the application, installation, use, or maintenance of this product, please contact Preferred Safety Products.

### GENERAL INFORMATION:

- The clamp is designed for use on a standing seam roof. Model 340SSRC-00 is for use on Butler MR24® or equivalent seams and 340SSRC-03 is for all seams including larger Butler VSR® or equivalent.
- The clamp must be attached to a fully seamed panel and must be attached over a clip that is bolted/screwed down (generally to purlins). (See Figure A).
- The flange of the clamp must be hooked under the seam before the four bolts are tightened to a torque of 50 ft./lb. First, tighten the top two to snug, and then the lower two to snug; then tighten the top two to 50 ft./lb., and then the lower two to 50 ft./lb.
- The clamp should be positioned a minimum of four feet from the eave or any unprotected edge.
- A safety lanyard, of a maximum length six foot length, with a deceleration (shock absorber) device and full body harness should be used with the clamp.
- The clamp has been tested to meet and exceed the following OSHA standards: 1926.502(d)(2), (3), (4), and (15): Anchorages for attachments of personal fall arrest equipment.

FIGURE A



## SAFETY FIRST:

1. Read and understand all instructions, warnings, notes, cautions, etc., regarding the safe use of safety equipment.
2. When installing, using, and removing equipment, Federal, State, Local Laws and regulations must be followed. These include, but are not limited to: OSHA, ANSI, and the U.S. Army Corps of Engineers. This includes using a second means of fall protection until the anchor point being installed is ready to use.
3. Only for use with compatible equipment as determined by your competent person.
4. Install and remove equipment in a safe and workmanlike manner. Means of safe installation and removal may include, but are not limited to:
  - Roof Ladders
  - Lifelines Systems
  - Man Baskets
  - Hoist/Lifts

Failure to inspect, install, use, and/or remove equipment in a safe manner by skilled and trained craftsmen can result in serious injury or death. Until the Standing Seam Roof Clamp™ is properly installed, use alternate fall protection means. Contact Preferred Safety Products at 800.301.3188 with any questions on proper installation. The flange of the clamp must be hooked under the seam before the four bolts are tightened to a torque of 50 ft./lb.

5. The flange of the clamp must be hooked under the seam before the four bolts are tightened to a torque of 50 ft./lb. First, tighten the top two to snug, and then the lower two to snug; then tighten the top two to 50 ft./lb., and then the lower two to 50 ft./lb.
6. The clamp should be positioned a minimum of four feet from the eave or unprotected edge.
7. Once the clamp is hooked under the seam, over a clip that is fastened down, tighten the four bolts to a torque of 50 ft./lb. as specified in #5 above.
8. The Standing Seam Roof Clamp™ allows for a worker to wear a personal fall arrest system that limits free fall to less than 6 feet and fall forces to less than 1800 lbs. Users must preferably wear a full body harness and shock absorbing lanyard designed to reduce fall forces to 900 lbs. or less, or an equivalent, such as a retractor, rope grab or cable grab system, or other fall arrest system.
9. Each application will be different. You must plan for and follow safe work practices for each installation and removal of safety equipment.
10. This device does not guarantee your safety; we do not guarantee that no injury will occur if a person falls while working with this unit. Use of this device is only expected to reduce the likelihood of serious injury and limit the fall distance if a fall occurs. Other means should be considered by workers and supervisors to limit the likelihood of a fall as well.
11. Once a worker has fallen, the employer must have a plan and a method to rescue him, and give treatment for any injury he sustained in the fall.

12. Always use the proper safety equipment when installing, using, or removing equipment. This safety equipment can include gloves, safety glasses, hearing protection, other independent fall protection, etc.
13. Note: Some roof material can be scratched or dimpled/dented/bent by use of this device, especially, if workers pull or push on their anchorages, are rough in placement/removal of same, or during a fall arrest. Generally, this is preferable to fall exposures. However, user is responsible for making the choice to use this method on the buildings/roofs and repairing marks, scratches, or other 'damage' to roofs.
14. Never place anything between jaws of device and the roof sheets. Metal to metal contact is required.
15. Any fall protection equipment that is involved in a personnel fall incident or is struck by a weight shall be removed from service immediately and discarded or returned to seller or a qualified repair facility.
16. This anchor is intended to be a part of a complete fall arrest system meeting all OSHA requirements that have a safety factor of two. All systems shall be complete fall protection systems that reduce forces on the body to less than 1800 lbs. and carry a safety factor of at least 2.
17. The 340SSRC-03 can be reversed for larger (wider/taller profile) seam profiles. Take out all 4 bolts, rotate plates to opposite side of ring and reinstall bolts through one side and into other side with threads. Follow all other instructions for mounting on larger seams. Use the "small side" whenever it fits and large side on wide profile/tall profile seams only.

*This information should be kept on file and incorporated into your safety program and employee training. It should also be accessible and reviewed by all competent workers using this device and all qualified trainers that instruct the workers. The clamp should be examined each day and each shift and should not be used if damaged. If subjected to stress or a fall, remove from service and return to seller or a qualified repair facility for inspection or replacement.*

## DANGER

**UNDERSTAND THE DANGER OF SWING FALL. KEEP YOUR LIFE LINE, LANYARD OR OTHER ATTACHMENT BETWEEN YOUR HARNESS AND THE ANCHOR POINT, IN AS MUCH OF A STRAIGHT ANGLE PERPENDICULAR (90 DEGREES) TO THE EDGE AS POSSIBLE — NEVER LESS THAN 45 DEGREES.**

**CONSULT WITH YOUR COMPETENT PERSON, SUPERVISOR, OR SAFETY DEPARTMENT TO GET ADDITIONAL ANCHOR POINTS MOUNTED NEARER TO YOUR WORK. WHEN YOU APPROACH AN EDGE AND FALL, THE LIFELINE OR LANYARD WILL LIKELY STOP ON THE EDGE. HOWEVER, IF THERE IS TOO SHALLOW AN ANGLE OR LOOPS OR LOOSE MATERIAL IN YOUR LIFELINE, THEN THE SWINGING ACTION OR THE EXTREME FREE FALL COULD CAUSE INJURY OR DEATH.**